

SPEEDTEC 215C

Spare Parts.....	1
SPEEDTEC 215C	1
Speedtec 215C Assemblies overview	1
Figure A: SPEEDTEC 215C Machine Central Assembly	2
Figure B: SPEEDTEC 215C Machine Front Assembly	4
Figure C: SPEEDTEC 215C Wire Drive Assembly & Euro Socket Assembly	4
Miscellaneous Items (not shown in figure A, B, C)	5
Electrical Schematic	6

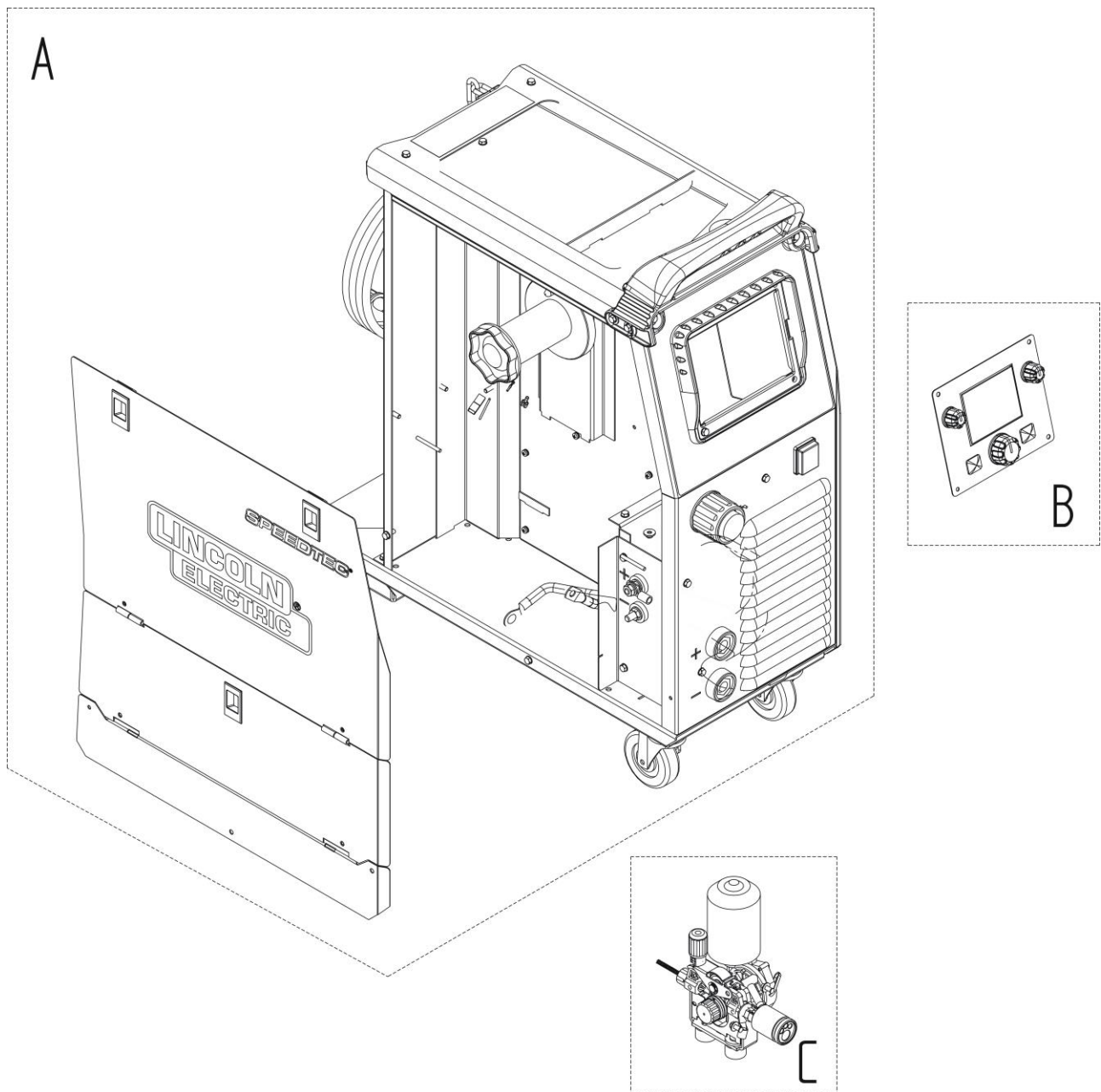


Spare Parts

SP50314 REV00
07/03

SPEEDTEC 215C

ASSEMBLY PAGE NAME		Assemblies Overview	Machine Central Assembly	Machine Front Assembly	Wire Drive Assembly & Euro Socket Assembly	Miscellaneous Items		
CODE NO.:	FIGURE NO.:	-	A	B	C	-		
50314	SPEEDTEC 215C	-	1	1	1	1		



Speedtec 215C Assemblies overview

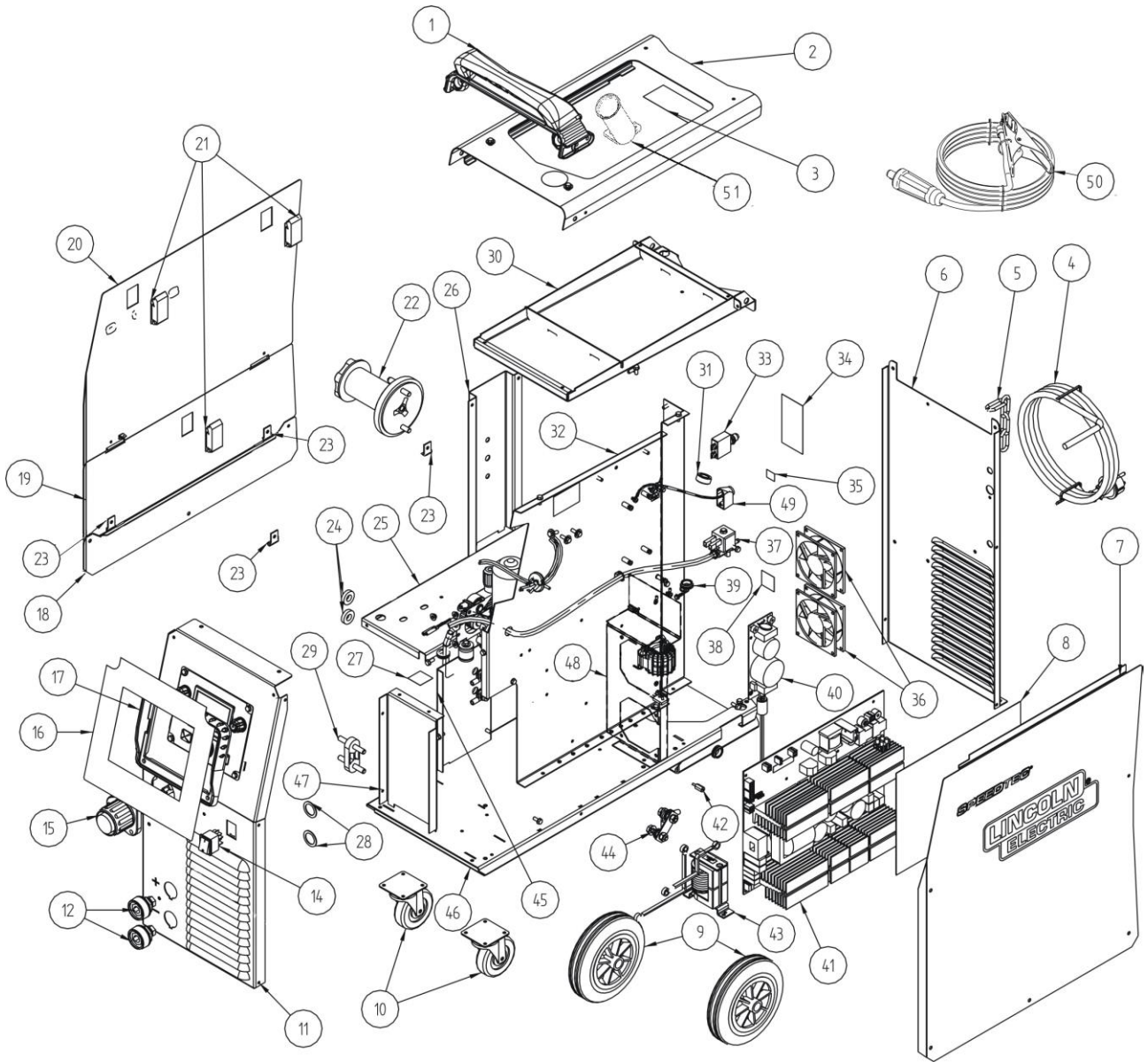


Figure A: SPEEDTEC 215C Machine Central Assembly

Item	Description	Part Number	QTY	1	2	3	4	5	6
1	HANDLE	R-0010-292-1R	1	X					
2	COVER	R-1019-439-1/02R	1	X					
3	STICKER	2719-107-728R	1	X					
4	POWER LEAD	R-0010-574-1R	1	X					
5	CHAIN	0652-410-003R	1	X					
6	REAR PANEL	R-1019-436-1/08R	1	X					
7	RIGHT SIDE PANEL	R-1019-451-1R	1	X					
8	STICKER (WIRING DIAGRAM)	R-0010-575-1R	1	X					
9	REAR WEELS	1029-660-007R	2	X					
10	FRONT WEELS	1029-660-004R	2	X					
11	FRONT PANEL	R-3019-358-1/08R	1	X					
12	SOCKET X2, X3	W7690350R	2	X					
13	PLASTIC NUT	B11035-1	1	X					
14	SWITCH	1115-270-014R	1	X					
15	EURO SLEEVE	1361-599-708R	1	X					
16	DECAL	R-0010-578-1R	1	X					
17	UI TRIM	9SG6529	1	X					
18	COVER	R-3019-362-1/02R	1	X					
19	DOOR	R-3019-363-1/02R	1	X					
20	LEFT SIDE PANEL	R-1019-452-1R	1	X					
21	LOCK	0654-610-004R	3	X					
22	REEL HUB COMPLETE	0744-000-192R	1	X					
23	HINGLE	D-3574-007-1/33R	4	X					
24	INSULATOR RING	D-1869-007-3R	2	X					
25	SHELF	R-3019-360-1/08R	1	X					
26	SUPPORT	R-1019-442-1/08R	1	X					
27	STICKER	2719-107-732R	1	X					
28	RUBBER CABLE BUSH	1462-111-009R	2	X					
29	TERMINAL BLOCK X4	1361-599-328R	1	X					
30	SHELF	R-3019-361-1/08R	1	X					
31	FERRITE CORE	W5600006R	1	X					
32	PARTITION	R-3019-359-1/08R	1	X					
33	THERMAL CIRCUIT BREAKER	1115-299-033R	1	X					
34	STICKER	R-7040-228-3R	1	X					
35	STICKER (BREAKER)	R-0010-581-1R	1	X					
36	FAN	1111-311-082R	2	X					
37	GAS SOLENOID	0972-423-040R	1	X					
38	STICKER (GAS)	2719-107-733R	1	X					
39	RUBBER CABLE BUSH	1373-182-002R	3	X					
40	FILTER EMI	Y030-1R	1	X					
41	P.C. BOARD	R-6042-064-4R	1	X					
42	PCB DISTANCE	1158-632-018R	1	X					
43	CHOCKE	R-4034-148-1R	1	X					
44	BRACKET	R-0010-554-1R	1	X					
45	COVER	R-1019-441-1/08R	1	X					
46	BASE	R-3019-357-1/08R	1	X					
47	PARTITION	R-1019-440-1/08R	1	X					
48	FAN BRACKET	R-1019-443-1/08R	1	X					
49	CABLE RELIEF	1361-599-399R	1	X					
50	WORK LEAD	R-5041-277-1R	1	X					
51	BRACKET ASSEMBLY	R-3019-387-1/08R	1	X					

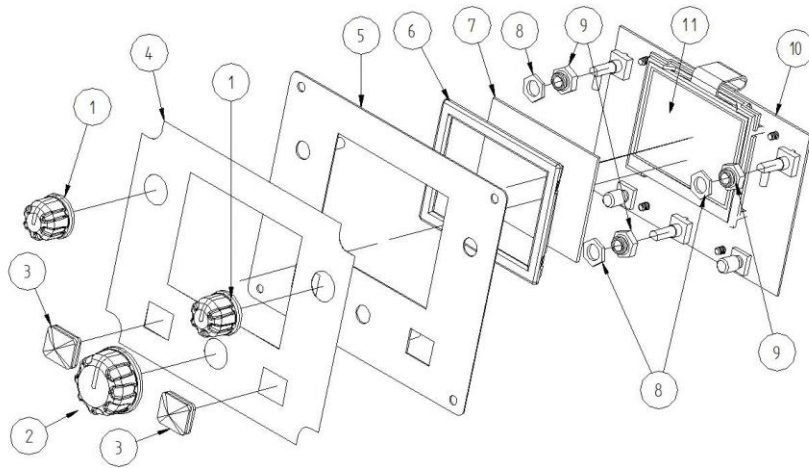


Figure B: SPEEDTEC 2015C Machine Front Assembly

Item*	Description	Part Number	QTY	1	2	3	4	5	6
1	KNOBS	9SM22778-1	2	X					
2	KNOB	9SM22778-2	1	X					
3	RUBBER BUTTOM	1373-182-005R	2	X					
4	STICKER	R-0010-573-1R	1	X					
5	FRONT PANEL	R-3019-369-1/08R	1	X					
6	FRAME	R-0010-423-1R	1	X					
7	PROTECTIVE SCREEN	R-0010-450-1R	1	X					
8	NUT	R-2013-128-1R	3	X					
9	ENCODER REDUCTION	R-2013-124-1R	3	X					
10	P.C. BOARD	R-6042-063-1R	1	X					
11	DISPLAY (ONLY)	0942-172-001R	1	X					

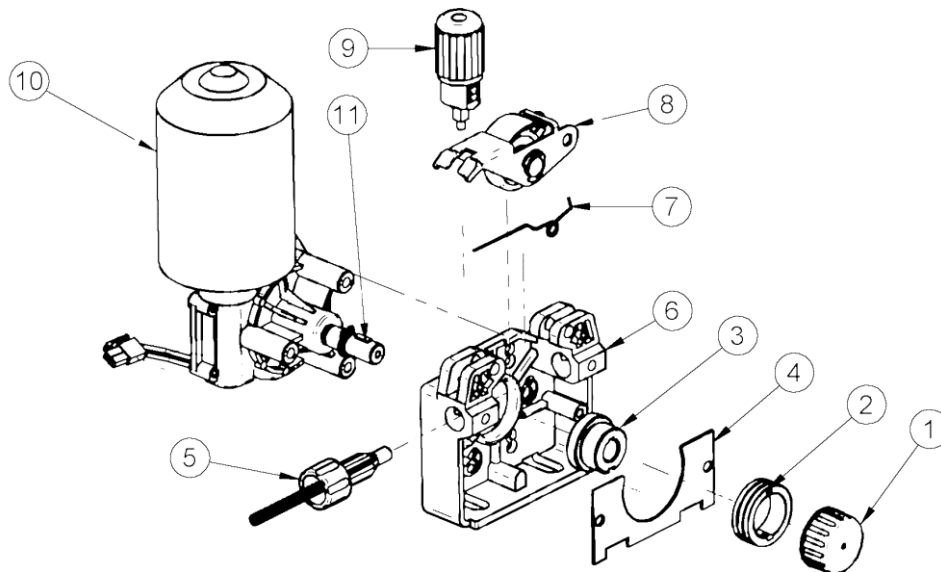


Figure C: SPEEDTEC 215C Wire Drive Assembly & Euro Socket Assembly

Item	Description	Part Number	QTY	1	2	3	4	5	6
1	FIXING CAP	0744-000-216R	1	X					
2	ROLL	SEE ACCESSORIES	1	X					
3	ADAPTER	0744-000-227R	1	X					
4	METAL COVER	0744-000-218R	1	X					
5	INLET GUIDE	0744-000-224R	1	X					
6	FEED PLATE	0744-000-219R	1	X					
7	SPRING PRESSURE ARM	0744-000-220R	1	X					
8	PRESSURE ARM COMPLETE	0744-000-221R	1	X					
9	FIXING ARM COMPLETE	0744-000-223R	1	X					
10	MOTOR	0744-000-222R	1	X					
11	WOODROF KEY	0646-231-102R	1	X					

Miscellaneous Items (not shown in figure A, B, C)

Item	Description	Part Number	QTY	1	2	3	4	5	6
	WIRING HARNESS PRIMARY	R-5041-391-1R	1	X					
	WIRING HARNESS SECONDARY	R-5041-392-1R	1	X					
	WIRING HARNESS SECONDARY	R-5041-392-2R	1	X					
	WIRING HARNESS TFT PANEL	R-5041-393-1R	1	X					
	WIRE 16MM2	R-5041-396-1R	1	X					
	WIRE 25MM2	R-5041-397-1R	1	X					
	VRD HARNESS	R-5041-290-1R	1	X					

Electrical Schematic

